


Project Name:	Location:	Date:	Qty:
Fixture Type:	Prepared by:	Comments:	

WRBE40-SERIES a 33 or 39W High Power LED E-40 Base Light Replacement Bulb in 4500K as per the D.O.E. recommendation for Outdoor Street Lighting. This bulb can reduce energy consumption by 70%.

This product is made in the USA 



Specification:

Input Voltage: 100V-277V AC
Frequency: 50-60HZ
Working LED Voltage: DC 24V
Power Efficiency: 95%
LED Source: 1.1 Watt LEDs, CREEs
LED Consumption: < 30.8W
Total Power Consumption: 33W-39W
LED Color Index: (CRI): Ra 75 @ 4500-5000K
LED Luminous Efficiency: > 114 lm/w CREE
Working Temperature: - 30 ° C to 89 ° C
Working Humidity: 10% to 90% RH
Light Body & Lampshade Material: PC and Aluminum Alloy
Lamp Base: E40

Size: (Dia.) 90x275 mm
Waterproof Grade: IP61
LED Illumination : 3,431 lm @ 25°C For 39W
30% LED Depreciation: Typical 80,000 *
 *based on 10 hours of usage per day.
 *based on CREE Inc recommendations.
Power Supply: UL Pending, Patent Pending
Heat Sink: Custom design, produced in the USA
Power Supply: Patent Pending Design, UL pending
Lens: Custom design to meet the ANSI Type 3 requirements
 Patent Pending design
Notes: Replacing a existing Cobra head dome lens with a Flat Safety glass lens will yield a Type 3 pattern.

LED Maintained Flux: (operating condition in enclosed fixture for 39W)

Fixture Size	Operating Temperature	Operating lm
29.5"x14"x8"	89°C Max	2839
35.5"x17.2"x13.7"	74°C Max	2955

Foot Candles (not in enclosure):

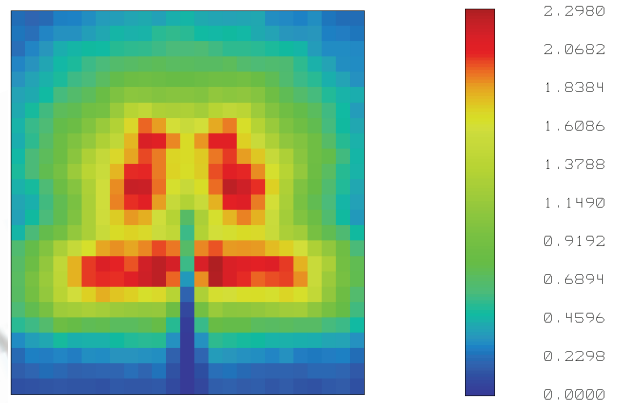
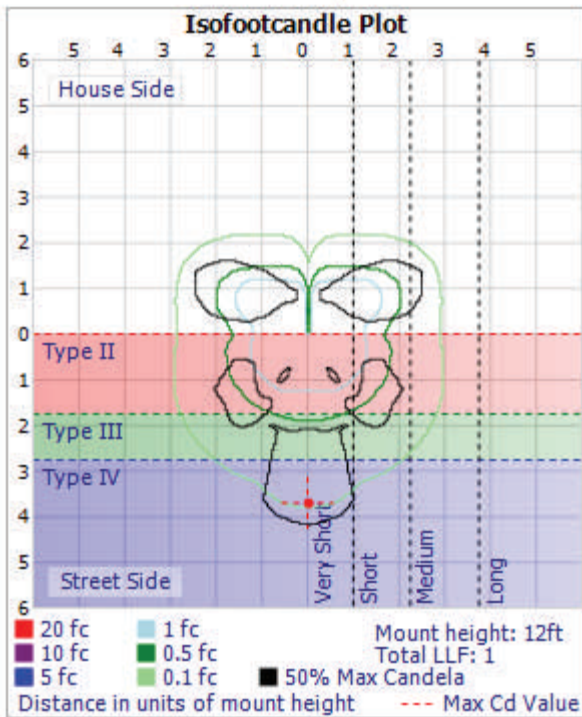
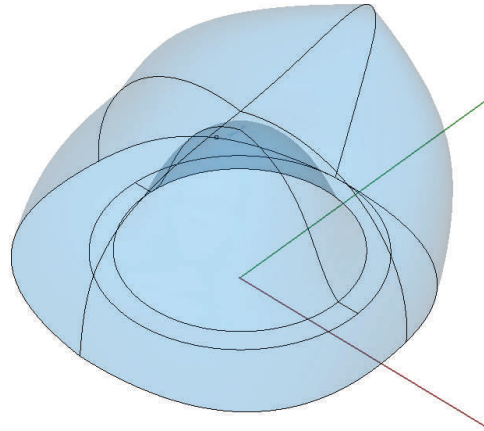
Mounting Height	Foot Candles
4'	175.9 Fc
20'	7 Fc

3 year labor and part warranty against manufacturer defect is provided to use under normal operating condition. Proof of purchase must be provided when warranty service is requested. Notice that improper use or unauthorized repair will not be covered by the warranty.

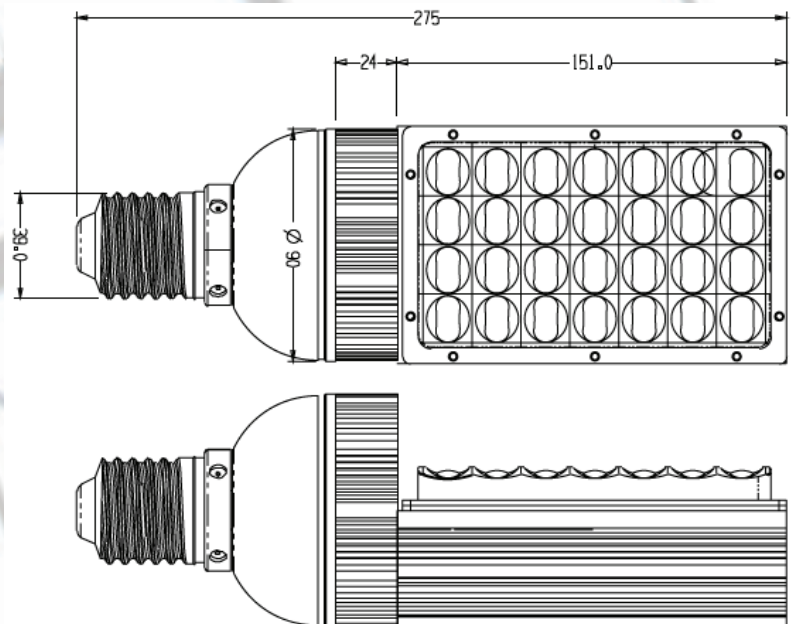
Roadway Summary

Cutoff Classification: SEMICUTOFF
 Distribution: TYPE III, SHORT
 Max Cd, 90 Deg Vert: 25.2
 Max Cd, 80 to <90 Deg: 398.9

	Lumens	% Lamp
Downward Street Side:	1,514.2	53.4%
Downward House Side:	1,325.0	46.8%
Downward Total:	2,839.1	100.2%
Upward Street Side:	0	0%
Upward House Side:	0	0%
Upward Total:	0	0%
Total Lumens:	2,839.1	100.2%



Physical Dimensions:



All Measurements are in (mm)

Graph Information:

The above graph is indicating a type 3 short distribution pattern. The test was performed to the LM79 standards. The results may vary based on the type of enclosure being used. The ideal lens recommended is replacing the Cobra Dome Lens to a flat safety glass. This will result in a type 3 short distribution pattern on the ground.