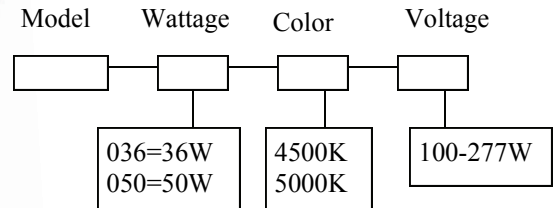


Project Name:	Location:	Date:	Qty:
Fixture Type:	Prepared by:	Comments:	

This Wall Pack Series uses 28-1.1 watt CREE LEDs or a 50W LED Array. The luminous flux is up to 4,620 lm.



**Specifications:**

LED Source: 28 LEDs @ 1.1W or 50W LED Array  
 Total Power Consumption: 36W Or 57W  
 LED Efficiency: 114 lm/W for 30.1W, 100 lm/W for 50W  
 LED Luminous flux: 3500 lm, 4960 lm  
 Effective Light Angle: 100° x 50°  
 Voltage: AC (100 to 277V)  
 Power Factor (PF): > 0.95  
 Color Temperature: Day White (4500K - 5000K)  
 THD: <20%

Operating Temp: 55°C internal @ 25°C  
 LED Lumens at Operating Temp: 28W=3321 lm, 50W=4625 lm  
 CRI: Ra > 80  
 IP Rating: IP65  
 Working Temp: -30C to 45C  
 Environmentally Friendly: NO UV, IR, Lead or Mercury  
 Supply Rating: 75,000 hours @ 80C  
 30% LED Depreciation: >50,000Hrs  
 High Intensity Tempered Glass Cover  
 Certifications: UL, CUL, Wet Locations, Pending

**Features:**

**Construction:**

Rugged one-piece die cast aluminum housing and door frame. One-piece silicone gasket protects the optics chamber from performance degrading contaminants.

**Mounting:**

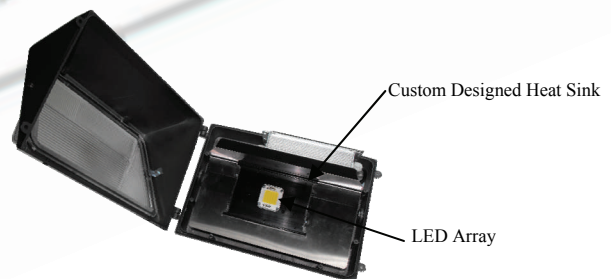
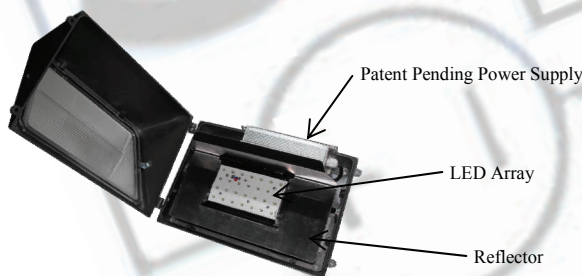
Wall mounting systems for easy installation and maintenance.

**Finish:**

Housing and Arm finished in a 5 stage polyester power coat paint. The finish color is dark Bronze.

**Reflector:**

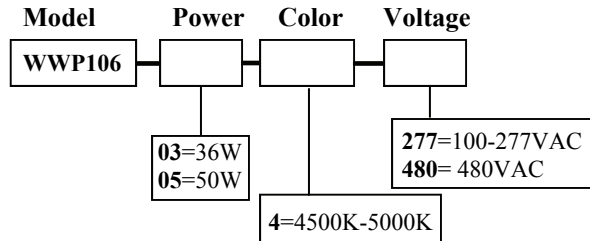
Premium 95% reflective anodized aluminum or Stainless Steel. All segments are rigidly mounted.



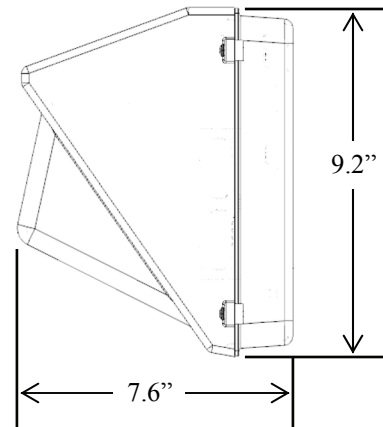
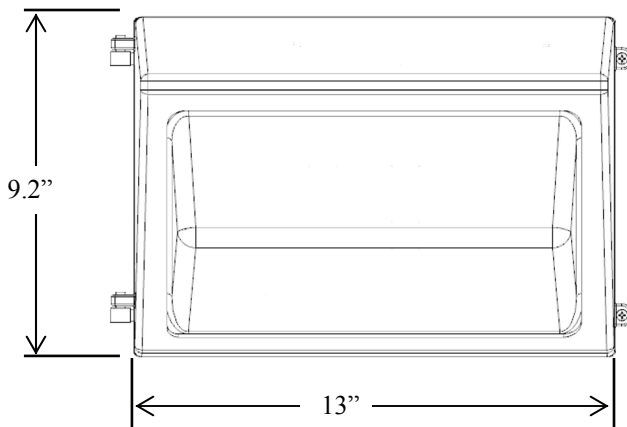
3 Year Labor and Part Warranty against manufacturer defect is provided to use under normal operating conditions. Proof of purchase must be provided when warranty service is requested. Notice that improper use or unauthorized repair will not be covered by the warranty. S3J Electronics reserves the right to make changes to this document and to the product without notice.

# WWP106 LED Wall Pack Lamp Series

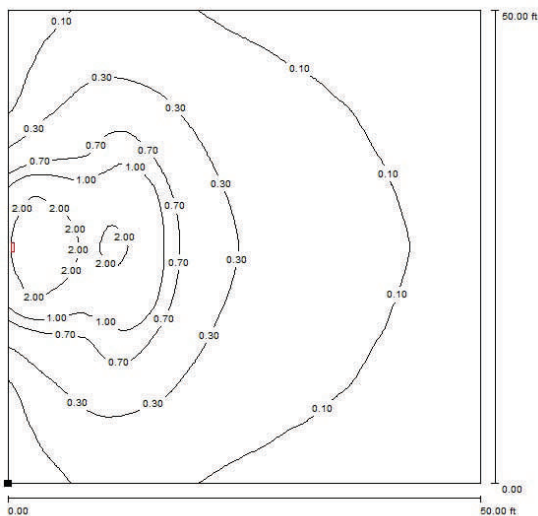
## Ordering Information:



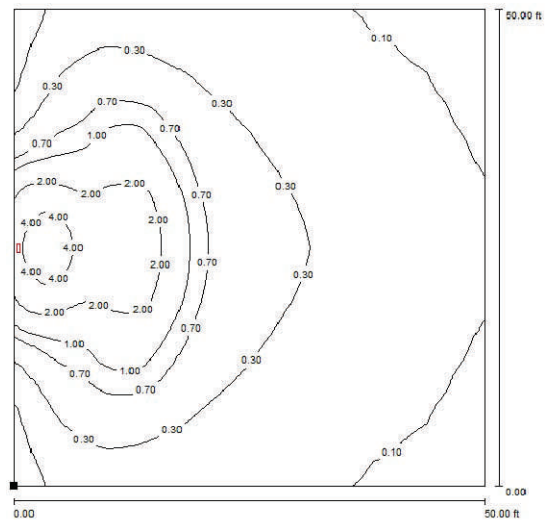
## Dimensions:



## Photometric:



36W Wall Pack Unit



57W Wall Pack Unit