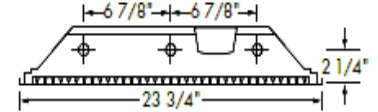
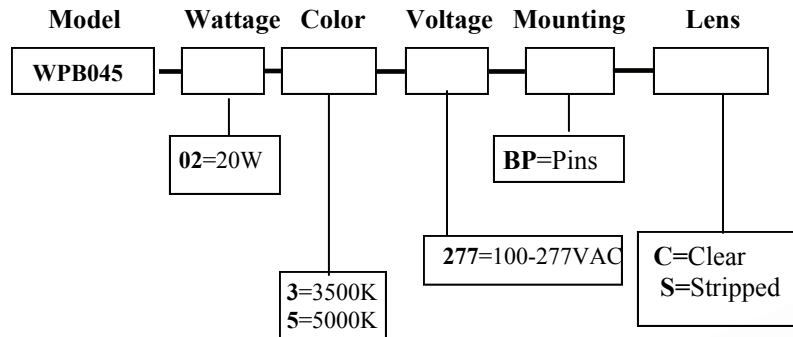


Project Name:	Location:	Date:	Qty:
Fixture Type:	Prepared by:	Comments:	

The WPB045 is a Deep Cell Parabolic High-efficiency LED Fixture that Produces uniform low brightness in 60°-90° zones. This fixture includes (3) WFBT8A LED Tubes



Specifications

Wattage: 20W per tube

Color Temperature:

-Day White (4500K to 5000K)

-Warm White (3000K to 3500K)

CRI: Ra 80

Central Lux: 14 fc/9.8'

IP Rating: IP40

LED Luminaries Efficiency: >90%

LED Efficiency: 90 lm/w

Lighting Angle: 120°

30% LED Depreciation: 50,000 Hours

LED Count: 64 each LED bulb (3)=192

THD: is less than 4%

Length/Base: T8

Total Power Consumption: 60W

Housing Temperature: Less than 26°C

Ambient Temperature: -40° to 120°F

LED Lumens Output:

-Day White - 4950 lm

-Warm White - 4200 lm

Replaces: 32-53 watt T8 Fluorescent

Working Voltage: AC 100V to 277V

Amperage: .65A

Net Weight: .4kg

Lens Type: -Clear -Stripped

Dimensions: 2'x 4'x 5.75"

No UV interference, Patented heat sink and optical diffuser, longer life than incandescent & Fluorescents.

No mercury, no ballast required, wide voltage and constant current design, solid state, high shock & vibration resistant.

Mercury free, 50%+ savings in energy consumption, no noise, no flickering.

The products are C-UL, UL, CE, RoHs and FCC, Retro-fit kits available for direct replacement of fluorescent fixtures.

3 Year Labor and Part Warranty against manufacturer defect is provided to use under normal operating condition. Proof of purchase must be provided when warranty service is requested. Notice that improper use or unauthorized repair will not be covered by the warranty. S3J Electronics reserves the