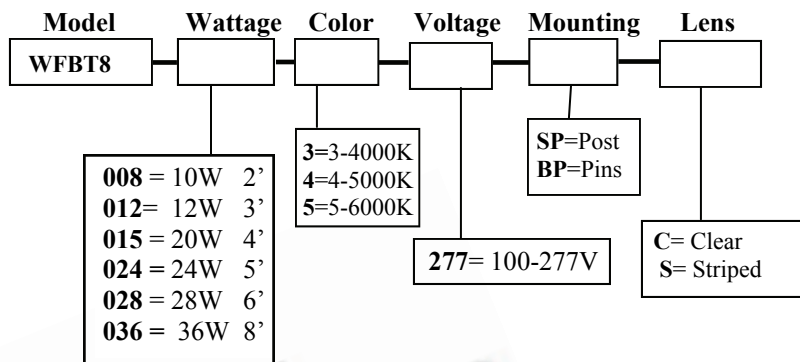


| | | | |
|---------------|--------------|-----------|------|
| Project Name: | Location: | Date: | Qty: |
| Fixture Type: | Prepared by: | Comments: | |

The WFBT8 series bulb is a fluorescent LED bulb replacement for traditional T8/T10/T12 fluorescent tubes allowing you to bring LED technology to environments never before possible.



Specifications

Wattage: 2' = 08W 3' = 12W
 4' = 18W 5' = 24W
 6' = 28W 8' = 36W

Color Temperature:

- Cool White (3000K to 4000K) +/- 200K
- Warm White (4000K to 5000K) +/- 200K
- Pure White (5000K to 6500K) +/- 200K

CRI: Ra 80

IP Rating: IP40

LED Luminaries Efficiency: >90%

LED Efficiency: 90 lm/w

Lighting Angle: 120°

30% LED Depreciation: 50,000 Hours

LED Count: 2' = 108 LED 4' = 288 LED
 5' = 360 LED 8' = 576 LED

Type Of LED: SMD

THD: is less than 0.2%

Total Power Consumption: 10W to 39W

Housing Temperature: Less than 26°C

Ambient Temperature: -40° to 120°F

Lamp Base G13

LED Lumens Output:

-Pure White
 2' = 0660lm 3' = 1063lm
 4' = 1650lm 5' = 1960lm
 6' = 2350lm 8' = 3010lm
 -Warm White
 2' = 650lm 3' = 0963lm
 4' = 1550lm 5' = 1850lm
 6' = 2250lm 8' = 2950lm

Replaces: T8,T10,T12 Fluorescent

Working Voltage: AC 100V to 277V

Amperage: .65A

Net Weight:

2' = .30kg 3' = .43kg
 4' = .55kg 5' = .73kg
 6' = .90kg 8' = 1.15kg

Lens Type:

-Clear, Striped

No UV interference, Patented heat sink and optical diffuser, longer life than Incandescent & Fluorescents.
 No mercury, no ballast required, wide voltage and constant current design, solid state, high shock & vibration resistant.
 Mercury free, 50%+ savings in energy consumption, no noise, no flickering

Certificates:

*Accordance with CE, RoHs, and FCC

3 Year Labor and Part Warranty against manufacturer defect is provided to use under normal operating condition. Proof of purchase must be provided when warranty service is requested. Notice that improper use or unauthorized repair will not be covered by the warranty. S3J Electronics reserves the right to make changes to this document and to the product without notice.